

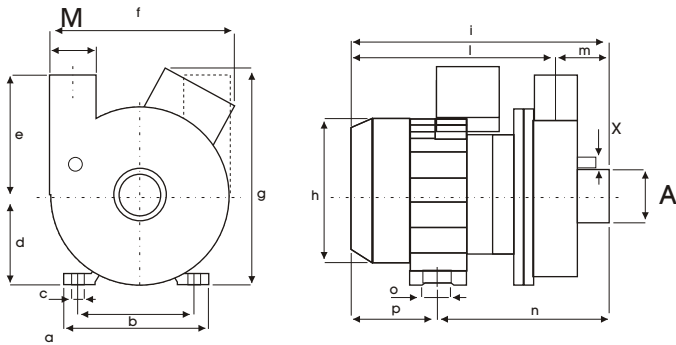


CE 150

kW 1.10 Hm 14.0 max
 Hp 1.50 L/1' 650 max

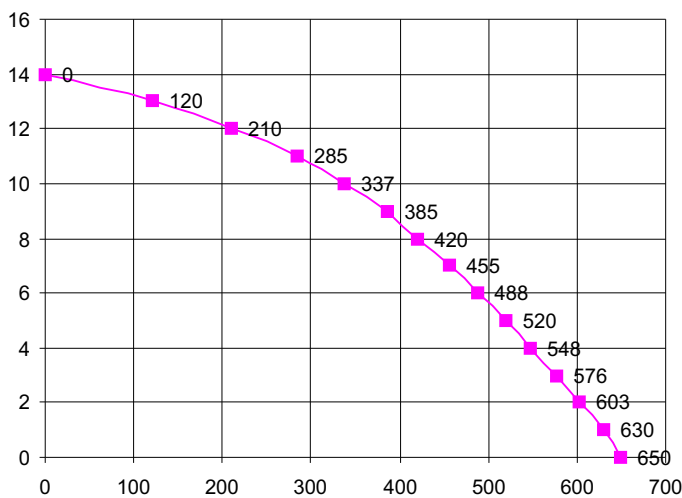


| | |
|--|---|
| Corpo Pompa Pump Body Pumpengehäuse | PP 30 GF |
| Girante Aperta Open Impeller Offenes Laufrad | SPS G30 |
| Albero Motore Motor Shaft Motorwelle | AISI 416 |
| Tenuta Meccanica Mechanical Seal Gleitringdichtung | GRAFITE/CERAMICA CARBON/CERAMIC KOHLE/KERAMIK |



| SX | A | M |
|------|----|----|
| L9: | 50 | 50 |
| L10: | 60 | 50 |
| L11: | 63 | 63 |
| L12: | 70 | 60 |

| mod | a | b | c | d | e | f | g | h | i | l | m | n | o | p | q | x | kg |
|--------|-----|-----|----|----|-----|-----|-----|-----|-----|-----|----|-----|----|-----|---|----|------|
| CE 150 | 166 | 140 | 10 | 99 | 112 | 213 | 228 | 176 | 283 | 229 | 54 | 182 | 20 | 101 | - | 12 | 11,0 |



| Hm | 0 | 1 | 4 | 5 | 6 | 7 | 8 | 9 | 10 | 12 | 14 |
|------|-----|-----|-----|-----|-----|-----|-----|-----|-----|-----|----|
| L/1' | 650 | 630 | 548 | 520 | 488 | 455 | 420 | 385 | 337 | 210 | 0 |

Ci riserviamo il diritto di apportare modi fiche tecniche

We reserve the right of technical modifications

Technische Änderungen vorbehalten

| | | |
|--|----------|---------------------------------------|
| Potenza motore Motor power Motor Leistung | Hp kW | 1,5 1,1 |
| Tensione/Frequenza Tension/Frequency Spannung/Frequenz | 3-V/Hz | 230-400/50 |
| Corrente assorbita Power consumption Stromaufnahme | A | 3,7 - 2,3 |
| GPM RPM UPM | | 2800 |
| Protezione termica Thermal Overload Überlastschutz | | 155 °C |
| Classe isolamento Insulation class Isolationsklasse | | F |
| Grado protezione Protection class Schutzklasse | | IP 44 |
| Servizio Duty Betriebsart | S1 | CONTINUO CONTINUOS DAUERBETRIEB |

REVISIONE N.03.07/03